

## Ø22/25 Round Standard Lever Selector Switches (S2SR Series)

| Type                           | Appearance   | Operating position                   | Model  | Contact block |           | LED block     |            |
|--------------------------------|--|--------------------------------------|--|---------------|-----------|---------------|------------|
|                                |  |                                      |  | A contact     | B contact | AC/DC voltage | AC voltage |
| Standard short lever, extended |  | 2-position, spring return            |  <b>S2SR-S1</b> □A(M) | 1             | —         | —             | —          |
|                                |  |                                      | <b>S2SR-S1</b> □2A(M)  | 2             | —         |               |            |
|                                |  |                                      | <b>S2SR-S1</b> □B(M)   | —             | 1         |               |            |
|                                |  |                                      | <b>S2SR-S1</b> □2B(M)  | —             | 2         |               |            |
|                                |  |                                      | <b>S2SR-S1</b> □AB(M)  | 1             | 1         |               |            |
|                                |  | 2-position, maintained               | <b>S2SR-S3</b> □A(M)   | 1             | —         |               |            |
|                                |  |                                      | <b>S2SR-S3</b> □2A(M)  | 2             | —         |               |            |
|                                |  |                                      | <b>S2SR-S3</b> □B(M)   | —             | 1         |               |            |
|                                |  |                                      | <b>S2SR-S3</b> □2B(M)  | —             | 2         |               |            |
|                                |  | 3-position, spring return two-way    | <b>S2SR-S5K</b> □2A(M)   | 2             | —         |               |            |
|                                |  |                                      | <b>S2SR-S5K</b> □2B(M)   | —             | 2         |               |            |
|                                |  |                                      | <b>S2SR-S5K</b> □AB(M)   | 1             | 1         |               |            |
|                                |  | 3-position, maintained               | <b>S2SR-S7K</b> □2A(M)   | 2             | —         |               |            |
|                                |  |                                      | <b>S2SR-S7K</b> □2B(M)   | —             | 2         |               |            |
|                                |  |                                      | <b>S2SR-S7K</b> □AB(M)   | 1             | 1         |               |            |
|                                |  | 3-position, spring return from right | <b>S2SR-SAK</b> □2A(M)   | 2             | —         |               |            |
|                                |  |                                      | <b>S2SR-SAK</b> □2B(M)   | —             | 2         |               |            |
|                                |  |                                      | <b>S2SR-SAK</b> □AB(M)   | 1             | 1         |               |            |
|                                |  | 3-position, spring return from left  | <b>S2SR-SCK</b> □2A(M)   | 2             | —         |               |            |
|                                |  |                                      | <b>S2SR-SCK</b> □2B(M)   | —             | 2         |               |            |
|                                |  |                                      | <b>S2SR-SCK</b> □AB(M)   | 1             | 1         |               |            |

※□ indicates color: **W**, **R**

※The M in the model name indicates modular type contact block. Models without M are singular contact block.

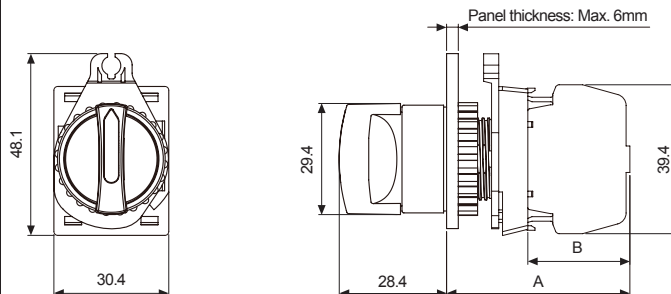
※The control unit, contact blocks, LED blocks are sold separately.

(control unit: bold letters, contact block: regular letters)

※Connect up to 2 contact blocks. Connect the contact blocks only on the right and left side slots. It will not operate if connected to the center slot.


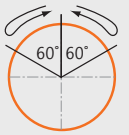
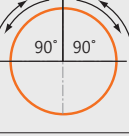
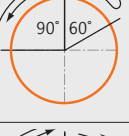
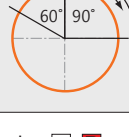
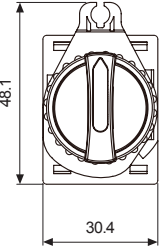
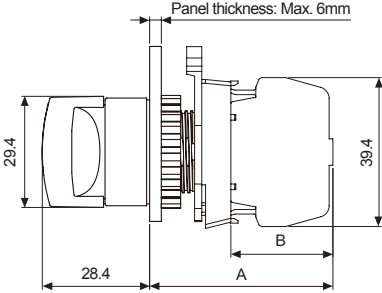
### • Dimensions

(unit: mm)







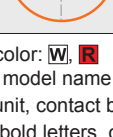
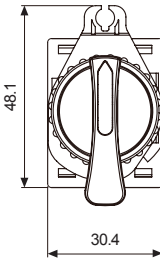
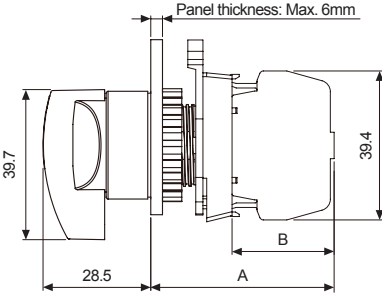




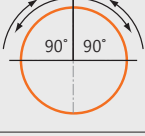
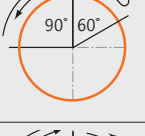
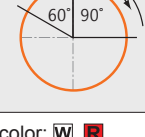
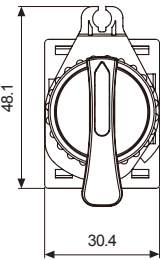
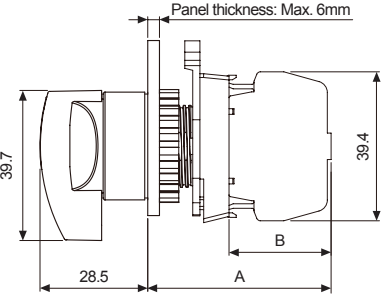
|               | A    | B    |
|---------------|------|------|
| Singular type | 48.5 | 27.0 |
| Modular type  | 46.5 | 25.0 |

※For panel cut-out dimensions, please refer to page A-82.


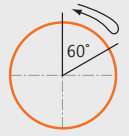
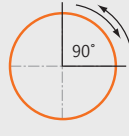
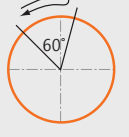
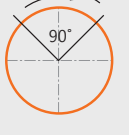

| Type   | Appearance   | Operating position                   | Model   | Contact block         |           | LED block     |            |   |   |   |               |      |      |              |      |      |
|--|--|--------------------------------------|---|-----------------------|-----------|---------------|------------|---|---|---|---------------|------|------|--------------|------|------|
|  |  |                                      |   | A contact             | B contact | AC/DC voltage | AC voltage |   |   |   |               |      |      |              |      |      |
| Standard short lever, extended   |  | 3-position, spring return two-way    |  <b>S2SR-S5</b> □2A(M) | 2                     | —         | —             | —          |   |   |   |               |      |      |              |      |      |
|  |  |                                      | <b>S2SR-S5</b> □2B(M)   | —                     | 2         |               |            |   |   |   |               |      |      |              |      |      |
|  |  |                                      | <b>S2SR-S5</b> □AB(M)   | 1                     | 1         |               |            |   |   |   |               |      |      |              |      |      |
|  |  | 3-position, maintained               |                        | <b>S2SR-S7</b> □2A(M) | 2         |               |            | — |   |   |               |      |      |              |      |      |
|  |  |                                      |   | <b>S2SR-S7</b> □2B(M) | —         |               |            | 2 |   |   |               |      |      |              |      |      |
|  |  |                                      |   | <b>S2SR-S7</b> □AB(M) | 1         |               |            | 1 |   |   |               |      |      |              |      |      |
|  |  | 3-position, spring return from right |                        | <b>S2SR-SA</b> □2A(M) | 2         |               |            | — |   |   |               |      |      |              |      |      |
|  |  |                                      |   | <b>S2SR-SA</b> □2B(M) | —         |               |            | 2 |   |   |               |      |      |              |      |      |
|  |  |                                      |   | <b>S2SR-SA</b> □AB(M) | 1         |               |            | 1 |   |   |               |      |      |              |      |      |
|  |  | 3-position, spring return from left  |                        | <b>S2SR-SC</b> □2A(M) | 2         |               |            | — |   |   |               |      |      |              |      |      |
|  |  |                                      |   | <b>S2SR-SC</b> □2B(M) | —         |               |            | 2 |   |   |               |      |      |              |      |      |
|  |  |                                      |   | <b>S2SR-SC</b> □AB(M) | 1         |               |            | 1 |   |   |               |      |      |              |      |      |
| <p>※□ indicates color: <b>W</b>, <b>R</b></p> <p>※The M in the model name indicates modular type contact block. Models without M are singular contact block.</p> <p>※The control unit, contact blocks, LED blocks are sold separately.<br/>(control unit: bold letters, contact block: regular letters)</p> <p>※Connect up to 2 contact blocks. Connect the contact blocks only on the right and left side slots.<br/>It will not operate if connected to the center slot.</p> <p>• Dimensions <span style="float: right;">(unit: mm)</span></p> <div style="display: flex; justify-content: space-around; align-items: flex-start;"> <div style="text-align: center;">  <p>48.1</p> <p>30.4</p> </div> <div style="text-align: center;">  <p>Panel thickness: Max. 6mm</p> <p>28.4</p> <p>39.4</p> <p>A</p> <p>B</p> </div> <div style="border: 1px solid black; padding: 5px;"> <table border="1"> <thead> <tr> <th></th> <th>A</th> <th>B</th> </tr> </thead> <tbody> <tr> <td>Singular type</td> <td>48.5</td> <td>27.0</td> </tr> <tr> <td>Modular type</td> <td>46.5</td> <td>25.0</td> </tr> </tbody> </table> </div> </div> <p style="text-align: right;">※For panel cut-out dimensions, please refer to page A-82.</p> |  |                                      |   |                       |           |               |            |   | A | B | Singular type | 48.5 | 27.0 | Modular type | 46.5 | 25.0 |
|  | A  | B                                    |   |                       |           |               |            |   |   |   |               |      |      |              |      |      |
| Singular type  | 48.5   | 27.0                                 |   |                       |           |               |            |   |   |   |               |      |      |              |      |      |
| Modular type   | 46.5   | 25.0                                 |   |                       |           |               |            |   |   |   |               |      |      |              |      |      |

# Ø22/25 Selector Switches

| Type  | Appearance   | Operating position  | Model          | Contact block |           | LED block     |            |  |   |   |               |      |      |              |      |      |
|---|--|---|----------------|---------------|-----------|---------------|------------|--|---|---|---------------|------|------|--------------|------|------|
|   |  |   |                | A contact     | B contact | AC/DC voltage | AC voltage |  |   |   |               |      |      |              |      |      |
| Standard long lever, extended   |  | 2-position, spring return<br>              | S2SR-S2□A(M)   | 1             | —         | —             | —          |  |   |   |               |      |      |              |      |      |
|   |  |   | S2SR-S2□2A(M)  | 2             | —         |               |            |  |   |   |               |      |      |              |      |      |
|   |  |   | S2SR-S2□B(M)   | —             | 1         |               |            |  |   |   |               |      |      |              |      |      |
|   |  |   | S2SR-S2□2B(M)  | —             | 2         |               |            |  |   |   |               |      |      |              |      |      |
|   |  |   | S2SR-S2□AB(M)  | 1             | 1         |               |            |  |   |   |               |      |      |              |      |      |
|   |  | 2-position, maintained<br>                 | S2SR-S4□A(M)   | 1             | —         |               |            |  |   |   |               |      |      |              |      |      |
|   |  |   | S2SR-S4□2A(M)  | 2             | —         |               |            |  |   |   |               |      |      |              |      |      |
|   |  |   | S2SR-S4□B(M)   | —             | 1         |               |            |  |   |   |               |      |      |              |      |      |
|   |  |   | S2SR-S4□2B(M)  | —             | 2         |               |            |  |   |   |               |      |      |              |      |      |
|   |  | 3-position, spring return two-way<br>      | S2SR-S6K□2A(M) | 2             | —         |               |            |  |   |   |               |      |      |              |      |      |
|   |  |   | S2SR-S6K□2B(M) | —             | 2         |               |            |  |   |   |               |      |      |              |      |      |
|   |  |   | S2SR-S6K□AB(M) | 1             | 1         |               |            |  |   |   |               |      |      |              |      |      |
|   |  | 3-position, maintained<br>                | S2SR-S8K□2A(M) | 2             | —         |               |            |  |   |   |               |      |      |              |      |      |
|   |  |   | S2SR-S8K□2B(M) | —             | 2         |               |            |  |   |   |               |      |      |              |      |      |
|   |  |   | S2SR-S8K□AB(M) | 1             | 1         |               |            |  |   |   |               |      |      |              |      |      |
|   |  | 3-position, spring return from right<br> | S2SR-SBK□2A(M) | 2             | —         |               |            |  |   |   |               |      |      |              |      |      |
|   |  |   | S2SR-SBK□2B(M) | —             | 2         |               |            |  |   |   |               |      |      |              |      |      |
|   |  |   | S2SR-SBK□AB(M) | 1             | 1         |               |            |  |   |   |               |      |      |              |      |      |
|   |  | 3-position, spring return from left<br>  | S2SR-SDK□2A(M) | 2             | —         |               |            |  |   |   |               |      |      |              |      |      |
|   |  |   | S2SR-SDK□2B(M) | —             | 2         |               |            |  |   |   |               |      |      |              |      |      |
|   |  |   | S2SR-SDK□AB(M) | 1             | 1         |               |            |  |   |   |               |      |      |              |      |      |
| <p>                     ※□ indicates color: <b>W</b>, <b>R</b><br/>                     ※The M in the model name indicates modular type contact block. Models without M are singular contact block.<br/>                     ※The control unit, contact blocks, LED blocks are sold separately.<br/>                     (control unit: bold letters, contact block: regular letters)<br/>                     ※Connect up to 2 contact blocks. Connect the contact blocks only on the right and left side slots.<br/>                     It will not operate if connected to the center slot.                 </p>  |  |   |                |               |           |               |            |  |   |   |               |      |      |              |      |      |
| <p>• Dimensions <span style="float: right;">(unit: mm)</span></p> <div style="display: flex; justify-content: space-around; align-items: flex-start;"> <div style="text-align: center;">  </div> <div style="text-align: center;">  </div> <div style="text-align: center;"> <table border="1"> <thead> <tr> <th></th> <th>A</th> <th>B</th> </tr> </thead> <tbody> <tr> <td>Singular type</td> <td>48.5</td> <td>27.0</td> </tr> <tr> <td>Modular type</td> <td>46.5</td> <td>25.0</td> </tr> </tbody> </table> </div> </div> <p style="text-align: right;">※For panel cut-out dimensions, please refer to page A-82.</p> |  |   |                |               |           |               |            |  | A | B | Singular type | 48.5 | 27.0 | Modular type | 46.5 | 25.0 |
|   | A  | B   |                |               |           |               |            |  |   |   |               |      |      |              |      |      |
| Singular type   | 48.5   | 27.0  |                |               |           |               |            |  |   |   |               |      |      |              |      |      |
| Modular type  | 46.5   | 25.0  |                |               |           |               |            |  |   |   |               |      |      |              |      |      |

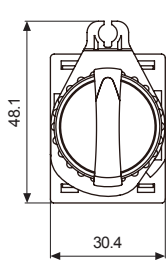
| Type   | Appearance   | Operating position                   | Model   | Contact block |           | LED block     |            |   |   |   |               |      |      |              |      |      |
|--|--|--------------------------------------|---|---------------|-----------|---------------|------------|---|---|---|---------------|------|------|--------------|------|------|
|  |  |                                      |   | A contact     | B contact | AC/DC voltage | AC voltage |   |   |   |               |      |      |              |      |      |
| Standard long lever, extended  |  | 3-position, spring return two-way    |  S2SR-S6□2A(M) | 2             | —         | —             | —          |   |   |   |               |      |      |              |      |      |
|  |  |                                      | S2SR-S6□2B(M)   | —             | 2         |               |            |   |   |   |               |      |      |              |      |      |
|  |  |                                      | S2SR-S6□AB(M)   | 1             | 1         |               |            |   |   |   |               |      |      |              |      |      |
|  |  | 3-position, maintained               |                | S2SR-S8□2A(M) | 2         |               |            | — |   |   |               |      |      |              |      |      |
|  |  |                                      |   | S2SR-S8□2B(M) | —         |               |            | 2 |   |   |               |      |      |              |      |      |
|  |  |                                      |   | S2SR-S8□AB(M) | 1         |               |            | 1 |   |   |               |      |      |              |      |      |
|  |  | 3-position, spring return from right |                | S2SR-SB□2A(M) | 2         |               |            | — |   |   |               |      |      |              |      |      |
|  |  |                                      |   | S2SR-SB□2B(M) | —         |               |            | 2 |   |   |               |      |      |              |      |      |
|  |  |                                      |   | S2SR-SB□AB(M) | 1         |               |            | 1 |   |   |               |      |      |              |      |      |
|  |  | 3-position, spring return from left  |                | S2SR-SD□2A(M) | 2         |               |            | — |   |   |               |      |      |              |      |      |
|  |  |                                      |   | S2SR-SD□2B(M) | —         |               |            | 2 |   |   |               |      |      |              |      |      |
|  |  |                                      |   | S2SR-SD□AB(M) | 1         |               |            | 1 |   |   |               |      |      |              |      |      |
| <p>※□ indicates color: <b>W</b>, <b>R</b></p> <p>※The M in the model name indicates modular type contact block. Models without M are singular contact block.</p> <p>※The control unit, contact blocks, LED blocks are sold separately.<br/>(control unit: bold letters, contact block: regular letters)</p> <p>※Connect up to 2 contact blocks. Connect the contact blocks only on the right and left side slots.<br/>It will not operate if connected to the center slot.</p>   |  |                                      |   |               |           |               |            |   |   |   |               |      |      |              |      |      |
| <p>• Dimensions</p> <div style="display: flex; justify-content: space-around; align-items: flex-start;"> <div style="text-align: center;">  <p>48.1<br/>30.4</p> </div> <div style="text-align: center;">  <p>39.7<br/>28.5<br/>39.4<br/>A<br/>B<br/>Panel thickness: Max. 6mm</p> </div> <div style="text-align: right;"> <p>(unit: mm)</p> <table border="1"> <thead> <tr> <th></th> <th>A</th> <th>B</th> </tr> </thead> <tbody> <tr> <td>Singular type</td> <td>48.5</td> <td>27.0</td> </tr> <tr> <td>Modular type</td> <td>46.5</td> <td>25.0</td> </tr> </tbody> </table> </div> </div> <p>※For panel cut-out dimensions, please refer to page A-82.</p> |  |                                      |   |               |           |               |            |   | A | B | Singular type | 48.5 | 27.0 | Modular type | 46.5 | 25.0 |
|  | A  | B                                    |   |               |           |               |            |   |   |   |               |      |      |              |      |      |
| Singular type  | 48.5   | 27.0                                 |   |               |           |               |            |   |   |   |               |      |      |              |      |      |
| Modular type   | 46.5   | 25.0                                 |   |               |           |               |            |   |   |   |               |      |      |              |      |      |

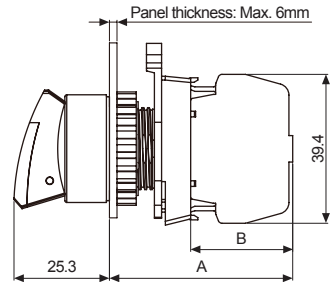
## Ø22/25 Round Shark Lever Selector Switches (S2SRN Series)

| Type                             | Appearance  | Operating position        |  | Model           | Contact block |           | LED block     |            |
|----------------------------------|---|---------------------------|--|-----------------|---------------|-----------|---------------|------------|
|                                  |   |                           |  |                 | A contact     | B contact | AC/DC voltage | AC voltage |
| Short shark-head lever, extended |  <p>S2SRN-S1AW□</p> | 2-position, spring return |   | S2SRN-S1A□A(M)  | 1             | —         | —             | —          |
|                                  |   |                           |  | S2SRN-S1A□2A(M) | 2             | —         |               |            |
|                                  |   |                           |  | S2SRN-S1A□B(M)  | —             | 1         |               |            |
|                                  |   |                           |  | S2SRN-S1A□2B(M) | —             | 2         |               |            |
|                                  |   |                           |  | S2SRN-S1A□AB(M) | 1             | 1         |               |            |
|                                  |   |                           |  | S2SRN-S1A□AB(M) | 1             | 1         |               |            |
|                                  |   | 2-position, maintained    |   | S2SRN-S3A□A(M)  | 1             | —         |               |            |
|                                  |   |                           |  | S2SRN-S3A□2A(M) | 2             | —         |               |            |
|                                  |   |                           |  | S2SRN-S3A□B(M)  | —             | 1         |               |            |
|                                  |   |                           |  | S2SRN-S3A□2B(M) | —             | 2         |               |            |
|                                  |   |                           |  | S2SRN-S3A□AB(M) | 1             | 1         |               |            |
|                                  |   |                           |  | S2SRN-S3A□AB(M) | 1             | 1         |               |            |
|                                  |   | 2-position, spring return |   | S2SRN-S1B□A(M)  | 1             | —         |               |            |
|                                  |   |                           |  | S2SRN-S1B□2A(M) | 2             | —         |               |            |
|                                  |   |                           |  | S2SRN-S1B□B(M)  | —             | 1         |               |            |
|                                  |   |                           |  | S2SRN-S1B□2B(M) | —             | 2         |               |            |
|                                  |   |                           |  | S2SRN-S1B□AB(M) | 1             | 1         |               |            |
|                                  |   |                           |  | S2SRN-S1B□AB(M) | 1             | 1         |               |            |
|                                  |   | 2-position, maintained    |  | S2SRN-S3B□A(M)  | 1             | —         |               |            |
|                                  |   |                           |  | S2SRN-S3B□2A(M) | 2             | —         |               |            |
|                                  |   |                           |  | S2SRN-S3B□B(M)  | —             | 1         |               |            |
|                                  |   |                           |  | S2SRN-S3B□2B(M) | —             | 2         |               |            |
|                                  |   |                           |  | S2SRN-S3B□AB(M) | 1             | 1         |               |            |
|                                  |   |                           |  | S2SRN-S3B□AB(M) | 1             | 1         |               |            |
| 2-position, spring return        |                    | S2SRN-S1□A(M)             | 1  | —               |               |           |               |            |
|                                  |   | S2SRN-S1□2A(M)            | 2  | —               |               |           |               |            |
|                                  |   | S2SRN-S1□B(M)             | —  | 1               |               |           |               |            |
|                                  |   | S2SRN-S1□2B(M)            | —  | 2               |               |           |               |            |
|                                  |   | S2SRN-S1□AB(M)            | 1  | 1               |               |           |               |            |
|                                  |   | S2SRN-S1□AB(M)            | 1  | 1               |               |           |               |            |

※□ indicates color: **W**, **R**  
 ※The M in the model name indicates modular type contact block. Models without M are singular contact block.  
 ※The control unit and contact blocks are sold separately.  
 (control unit: bold letters, contact block: regular letters)  
 ※Connect up to 2 contact blocks. Connect the contact blocks only on the right and left side slots.  
 It will not operate if connected to the center slot.

• Dimensions (unit: mm)






Panel thickness: Max. 6mm

|               | A    | B    |
|---------------|------|------|
| Singular type | 48.5 | 27.0 |
| Modular type  | 46.5 | 25.0 |

※For panel cut-out dimensions, please refer to page A-82.

| Type                             | Appearance   | Operating position                   | Model                       | Contact block |           | LED block     |            |
|----------------------------------|--|--------------------------------------|-----------------------------|---------------|-----------|---------------|------------|
|                                  |  |                                      |                             | A contact     | B contact | AC/DC voltage | AC voltage |
| Short shark-head lever, extended |  | 3-position, spring return two-way    | <b>S2SRN-S5K</b> □<br>2A(M) | 2             | —         | —             | —          |
|                                  |  |                                      | <b>S2SRN-S5K</b> □<br>2B(M) | —             | 2         |               |            |
|                                  |  |                                      | <b>S2SRN-S5K</b> □<br>AB(M) | 1             | 1         |               |            |
|                                  |  | 3-position, maintained               | <b>S2SRN-S7K</b> □<br>2A(M) | 2             | —         |               |            |
|                                  |  |                                      | <b>S2SRN-S7K</b> □<br>2B(M) | —             | 2         |               |            |
|                                  |  |                                      | <b>S2SRN-S7K</b> □<br>AB(M) | 1             | 1         |               |            |
|                                  |  | 3-position, spring return from right | <b>S2SRN-SAK</b> □<br>2A(M) | 2             | —         |               |            |
|                                  |  |                                      | <b>S2SRN-SAK</b> □<br>2B(M) | —             | 2         |               |            |
|                                  |  |                                      | <b>S2SRN-SAK</b> □<br>AB(M) | 1             | 1         |               |            |
|                                  |  | 3-position, spring return from left  | <b>S2SRN-SCK</b> □<br>2A(M) | 2             | —         |               |            |
|                                  |  |                                      | <b>S2SRN-SCK</b> □<br>2B(M) | —             | 2         |               |            |
|                                  |  |                                      | <b>S2SRN-SCK</b> □<br>AB(M) | 1             | 1         |               |            |
|                                  |  | 3-position, spring return two-way    | <b>S2SRN-S5</b> □2A(M)      | 2             | —         |               |            |
|                                  |  |                                      | <b>S2SRN-S5</b> □2B(M)      | —             | 2         |               |            |
|                                  |  |                                      | <b>S2SRN-S5</b> □AB(M)      | 1             | 1         |               |            |
|                                  |  | 3-position, maintained               | <b>S2SRN-S7</b> □2A(M)      | 2             | —         |               |            |
|                                  |  |                                      | <b>S2SRN-S7</b> □2B(M)      | —             | 2         |               |            |
|                                  |  |                                      | <b>S2SRN-S7</b> □AB(M)      | 1             | 1         |               |            |
|                                  |  | 3-position, spring return from right | <b>S2SRN-SA</b> □2A(M)      | 2             | —         |               |            |
|                                  |  |                                      | <b>S2SRN-SA</b> □2B(M)      | —             | 2         |               |            |
|                                  |  |                                      | <b>S2SRN-SA</b> □AB(M)      | 1             | 1         |               |            |
|                                  |  | 3-position, spring return from left  | <b>S2SRN-SC</b> □2A(M)      | 2             | —         |               |            |
|                                  |  |                                      | <b>S2SRN-SC</b> □2B(M)      | —             | 2         |               |            |
|                                  |  |                                      | <b>S2SRN-SC</b> □AB(M)      | 1             | 1         |               |            |

※□ indicates color: **W**, **R**

※The M in the model name indicates modular type contact block. Models without M are singular contact block.

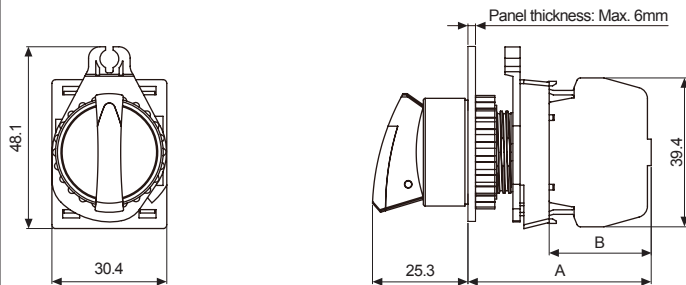
※The control unit and contact blocks are sold separately.

(control unit: bold letters, contact block: regular letters)

※Connect up to 2 contact blocks. Connect the contact blocks only on the right and left side slots. It will not operate if connected to the center slot.

• Dimensions


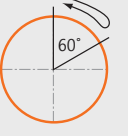
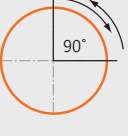


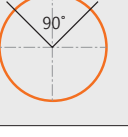
(unit: mm)



|               | A    | B    |
|---------------|------|------|
| Singular type | 48.5 | 27.0 |
| Modular type  | 46.5 | 25.0 |

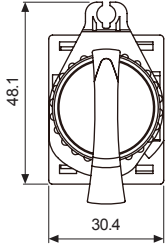
※For panel cut-out dimensions, please refer to page A-82.

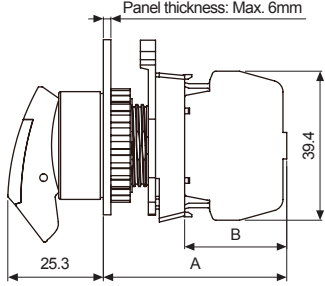
# Ø22/25 Selector Switches

| Type                            | Appearance  | Operating position        |  | Model           | Contact block |           | LED block     |            |
|---------------------------------|---|---------------------------|--|-----------------|---------------|-----------|---------------|------------|
|                                 |   |                           |  |                 | A contact     | B contact | AC/DC voltage | AC voltage |
| Long shark-head lever, extended |  <p>S2SRN-S2AR□</p> | 2-position, spring return |   | S2SRN-S2A□A(M)  | 1             | —         | —             | —          |
|                                 |   |                           |  | S2SRN-S2A□2A(M) | 2             | —         |               |            |
|                                 |   |                           |  | S2SRN-S2A□B(M)  | —             | 1         |               |            |
|                                 |   |                           |  | S2SRN-S2A□2B(M) | —             | 2         |               |            |
|                                 |   |                           |  | S2SRN-S2A□AB(M) | 1             | 1         |               |            |
|                                 |   | 2-position, maintained    |   | S2SRN-S4A□A(M)  | 1             | —         |               |            |
|                                 |   |                           |  | S2SRN-S4A□2A(M) | 2             | —         |               |            |
|                                 |   |                           |  | S2SRN-S4A□B(M)  | —             | 1         |               |            |
|                                 |   |                           |  | S2SRN-S4A□2B(M) | —             | 2         |               |            |
|                                 |   |                           |  | S2SRN-S4A□AB(M) | 1             | 1         |               |            |
|                                 |   | 2-position, spring return |   | S2SRN-S2B□A(M)  | 1             | —         |               |            |
|                                 |   |                           |  | S2SRN-S2B□2A(M) | 2             | —         |               |            |
|                                 |   |                           |  | S2SRN-S2B□B(M)  | —             | 1         |               |            |
|                                 |   |                           |  | S2SRN-S2B□2B(M) | —             | 2         |               |            |
|                                 |   |                           |  | S2SRN-S2B□AB(M) | 1             | 1         |               |            |
|                                 |   | 2-position, maintained    |  | S2SRN-S4B□A(M)  | 1             | —         |               |            |
|                                 |   |                           |  | S2SRN-S4B□2A(M) | 2             | —         |               |            |
|                                 |   |                           |  | S2SRN-S4B□B(M)  | —             | 1         |               |            |
|                                 |   |                           |  | S2SRN-S4B□2B(M) | —             | 2         |               |            |
|                                 |   |                           |  | S2SRN-S4B□AB(M) | 1             | 1         |               |            |
| 2-position, spring return       |                    | S2SRN-S2□A(M)             | 1  | —               |               |           |               |            |
|                                 |   | S2SRN-S2□2A(M)            | 2  | —               |               |           |               |            |
|                                 |   | S2SRN-S2□B(M)             | —  | 1               |               |           |               |            |
|                                 |   | S2SRN-S2□2B(M)            | —  | 2               |               |           |               |            |
|                                 |   | S2SRN-S2□AB(M)            | 1  | 1               |               |           |               |            |

※□ indicates color: **W**, **R**  
 ※The M in the model name indicates modular type contact block. Models without M are singular contact block.  
 ※The control unit and contact blocks are sold separately.  
 (control unit: bold letters, contact block: regular letters)  
 ※Connect up to 2 contact blocks. Connect the contact blocks only on the right and left side slots.  
 It will not operate if connected to the center slot.

• Dimensions (unit: mm)




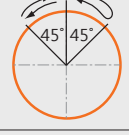
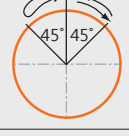
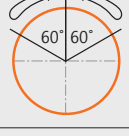
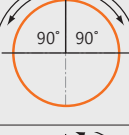
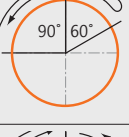
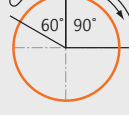




Panel thickness: Max. 6mm

|               | A    | B    |
|---------------|------|------|
| Singular type | 48.5 | 27.0 |
| Modular type  | 46.5 | 25.0 |

※For panel cut-out dimensions, please refer to page A-82.

| Type                            | Appearance   | Operating position                   | Model  | Contact block |           | LED block     |            |
|---------------------------------|--|--------------------------------------|--|---------------|-----------|---------------|------------|
|                                 |  |                                      |  | A contact     | B contact | AC/DC voltage | AC voltage |
| Long shark-head lever, extended |  | 3-position, spring return two-way    |  S2SRN-S6K□2A(M)  | 2             | —         | —             | —          |
|                                 |  |                                      | S2SRN-S6K□2B(M)  | —             | 2         |               |            |
|                                 |  |                                      | S2SRN-S6K□AB(M)  | 1             | 1         |               |            |
|                                 |  | 3-position, maintained               |  S2SRN-S8K□2A(M)  | 2             | —         |               |            |
|                                 |  |                                      | S2SRN-S8K□2B(M)  | —             | 2         |               |            |
|                                 |  |                                      | S2SRN-S8K□AB(M)  | 1             | 1         |               |            |
|                                 |  | 3-position, spring return from right |  S2SRN-SBK□2A(M)  | 2             | —         |               |            |
|                                 |  |                                      | S2SRN-SBK□2B(M)  | —             | 2         |               |            |
|                                 |  |                                      | S2SRN-SBK□AB(M)  | 1             | 1         |               |            |
|                                 |  | 3-position, spring return from left  |  S2SRN-SDK□2A(M)  | 2             | —         |               |            |
|                                 |  |                                      | S2SRN-SDK□2B(M)  | —             | 2         |               |            |
|                                 |  |                                      | S2SRN-SDK□AB(M)  | 1             | 1         |               |            |
|                                 |  | 3-position, spring return two-way    |  S2SRN-S6□2A(M)  | 2             | —         |               |            |
|                                 |  |                                      | S2SRN-S6□2B(M)   | —             | 2         |               |            |
|                                 |  |                                      | S2SRN-S6□AB(M)   | 1             | 1         |               |            |
|                                 |  | 3-position, maintained               |  S2SRN-S8□2A(M) | 2             | —         |               |            |
|                                 |  |                                      | S2SRN-S8□2B(M)   | —             | 2         |               |            |
|                                 |  |                                      | S2SRN-S8□AB(M)   | 1             | 1         |               |            |
|                                 |  | 3-position, spring return from right |  S2SRN-SB□2A(M) | 2             | —         |               |            |
|                                 |  |                                      | S2SRN-SB□2B(M)   | —             | 2         |               |            |
|                                 |  |                                      | S2SRN-SB□AB(M)   | 1             | 1         |               |            |
|                                 |  | 3-position, spring return from left  |  S2SRN-SD□2A(M) | 2             | —         |               |            |
|                                 |  |                                      | S2SRN-SD□2B(M)   | —             | 2         |               |            |
|                                 |  |                                      | S2SRN-SD□AB(M)   | 1             | 1         |               |            |

※□ indicates color: **W**, **R**

※The M in the model name indicates modular type contact block. Models without M are singular contact block.

※The control unit and contact blocks are sold separately.

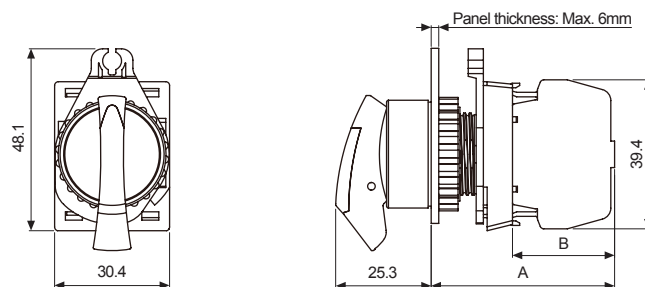
(control unit: bold letters, contact block: regular letters)

※Connect up to 2 contact blocks. Connect the contact blocks only on the right and left side slots.

It will not operate if connected to the center slot.

• Dimensions

(unit: mm)





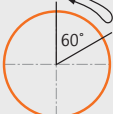
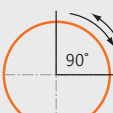



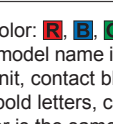
|               | A    | B    |
|---------------|------|------|
| Singular type | 48.5 | 27.0 |
| Modular type  | 46.5 | 25.0 |

※For panel cut-out dimensions, please refer to page A-82.



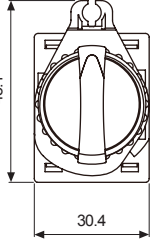


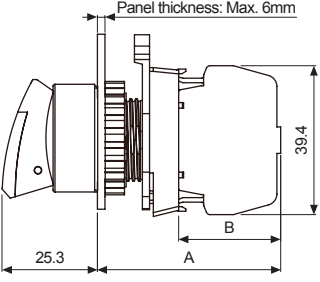
# Ø22/25 Selector Switches

| Type   | Appearance   | Operating position   | Model            | Contact block |           | LED block     |            |
|--|--|--|------------------|---------------|-----------|---------------|------------|
|  |  |  |                  | A contact     | B contact | AC/DC voltage | AC voltage |
| Short shark-head lever, extended (illuminated) | <br>S2SRN-L1AR□<br><br> | 2-position, spring return<br>   | S2SRN-L1A□AL(M)  | 1             | —         | —             | 1          |
|  |  |  | S2SRN-L1A□2AL(M) | 2             | —         |               |            |
|  |  |  | S2SRN-L1A□BL(M)  | —             | 1         |               |            |
|  |  |  | S2SRN-L1A□2BL(M) | —             | 2         |               |            |
|  |  | 2-position, maintained<br>      | S2SRN-L1A□ABL(M) | 1             | 1         |               |            |
|  |  |  | S2SRN-L3A□AL(M)  | 1             | —         |               |            |
|  |  |  | S2SRN-L3A□2AL(M) | 2             | —         |               |            |
|  |  |  | S2SRN-L3A□BL(M)  | —             | 1         |               |            |
|  |  | 2-position, spring return<br>   | S2SRN-L3A□2BL(M) | —             | 2         |               |            |
|  |  |  | S2SRN-L3A□ABL(M) | 1             | 1         |               |            |
|  |  |  | S2SRN-L1B□AL(M)  | 1             | —         |               |            |
|  |  |  | S2SRN-L1B□2AL(M) | 2             | —         |               |            |
|  |  | 2-position, maintained<br>      | S2SRN-L1B□BL(M)  | —             | 1         |               |            |
|  |  |  | S2SRN-L1B□2BL(M) | —             | 2         |               |            |
|  |  |  | S2SRN-L1B□ABL(M) | 1             | 1         |               |            |
|  |  |  | S2SRN-L3B□AL(M)  | 1             | —         |               |            |
|  |  | 2-position, maintained<br>    | S2SRN-L3B□2AL(M) | 2             | —         |               |            |
|  |  |  | S2SRN-L3B□BL(M)  | —             | 1         |               |            |
|  |  |  | S2SRN-L3B□2BL(M) | —             | 2         |               |            |
|  |  |  | S2SRN-L3B□ABL(M) | 1             | 1         |               |            |
|  |  | 2-position, spring return<br> | S2SRN-L1□AL(M)   | 1             | —         |               |            |
|  |  |  | S2SRN-L1□2AL(M)  | 2             | —         |               |            |
|  |  |  | S2SRN-L1□BL(M)   | —             | 1         |               |            |
|  |  |  | S2SRN-L1□2BL(M)  | —             | 2         |               |            |
|  |  |  | S2SRN-L1□ABL(M)  | 1             | 1         |               |            |

※□ indicates color: **R**, **B**, **G**, **Y**  
 ※The M in the model name indicates modular type contact block. Models without M are singular contact block.  
 ※The control unit, contact blocks, LED blocks are sold separately.  
 (control unit: bold letters, contact and LED block: regular letters)  
 ※The LED color is the same as the control unit.  
 ※Connect up to 2 contact blocks. Connect the contact blocks only on the right and left side slots.  
 It will not operate if connected to the center slot.

• Dimensions (unit: mm)





|               | A    | B    |
|---------------|------|------|
| Singular type | 48.5 | 27.0 |
| Modular type  | 46.5 | 25.0 |

※For panel cut-out dimensions, please refer to page A-82.



Control Switches

Ø16

Ø22/25

Ø30

□30

Push Button Switches

- Round
- Square
- Rectangular

Selector Switches

- Round
- Square
- Rectangular

Key Selector Switches

- Round
- Square
- Rectangular

Double Push Button Switches










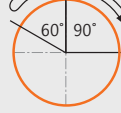
Mushroom-head Push Button Switches

Emergency Switches

Pilot Lights

Accessories

Buzzers

| Type   | Appearance   | Operating position                   | Model   | Contact block |           | LED block     |            |
|--|--|--------------------------------------|---|---------------|-----------|---------------|------------|
|  |  |                                      |   | A contact     | B contact | AC/DC voltage | AC voltage |
| Short shark-head lever, extended (illuminated) | <br>S2SRN-L1AR□<br> | 3-position, spring return two-way    |  S2SRN-L5K□2AL(M)  | 2             | —         | —             | 1          |
|  |  |                                      | S2SRN-L5K□2BL(M)  | —             | 2         |               |            |
|  |  |                                      | S2SRN-L5K□ABL(M)  | 1             | 1         |               |            |
|  |  | 3-position, maintained               |  S2SRN-L7K□2AL(M)  | 2             | —         |               |            |
|  |  |                                      | S2SRN-L7K□2BL(M)  | —             | 2         |               |            |
|  |  |                                      | S2SRN-L7K□ABL(M)  | 1             | 1         |               |            |
|  |  | 3-position, spring return from right |  S2SRN-LAK□2AL(M)  | 2             | —         |               |            |
|  |  |                                      | S2SRN-LAK□2BL(M)  | —             | 2         |               |            |
|  |  |                                      | S2SRN-LAK□ABL(M)  | 1             | 1         |               |            |
|  |  | 3-position, spring return from left  |  S2SRN-LCK□2AL(M)  | 2             | —         |               |            |
|  |  |                                      | S2SRN-LCK□2BL(M)  | —             | 2         |               |            |
|  |  |                                      | S2SRN-LCK□ABL(M)  | 1             | 1         |               |            |
|  |  | 3-position, spring return two-way    |  S2SRN-L5□2AL(M)  | 2             | —         |               |            |
|  |  |                                      | S2SRN-L5□2BL(M)   | —             | 2         |               |            |
|  |  |                                      | S2SRN-L5□ABL(M)   | 1             | 1         |               |            |
|  |  | 3-position, maintained               |  S2SRN-L7□2AL(M) | 2             | —         |               |            |
|  |  |                                      | S2SRN-L7□2BL(M)   | —             | 2         |               |            |
|  |  |                                      | S2SRN-L7□ABL(M)   | 1             | 1         |               |            |
|  |  | 3-position, spring return from right |  S2SRN-LA□2AL(M) | 2             | —         |               |            |
|  |  |                                      | S2SRN-LA□2BL(M)   | —             | 2         |               |            |
|  |  |                                      | S2SRN-LA□ABL(M)   | 1             | 1         |               |            |
|  |  | 3-position, spring return from left  |  S2SRN-LC□2AL(M) | 2             | —         |               |            |
|  |  |                                      | S2SRN-LC□2BL(M)   | —             | 2         |               |            |
|  |  |                                      | S2SRN-LC□ABL(M)   | 1             | 1         |               |            |

※□ indicates color: **R**, **B**, **G**, **Y**

※The M in the model name indicates modular type contact block. Models without M are singular contact block.

※The control unit, contact blocks, LED blocks are sold separately.

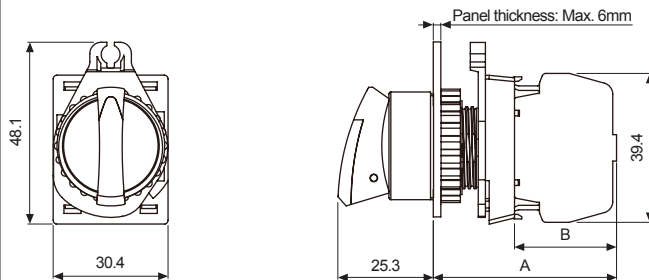
(control unit: bold letters, contact and LED block: regular letters)

※The LED color is the same as the control unit.

※Connect up to 2 contact blocks. Connect the contact blocks only on the right and left side slots. It will not operate if connected to the center slot.

• Dimensions

(unit: mm)


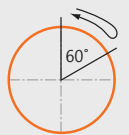

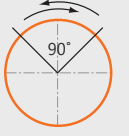
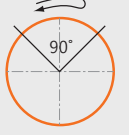


|               | A    | B    |
|---------------|------|------|
| Singular type | 48.5 | 27.0 |
| Modular type  | 46.5 | 25.0 |

※For panel cut-out dimensions, please refer to page A-82.



# Ø22/25 Selector Switches

| Type   | Appearance  | Operating position        |  | Model            | Contact block |                 | LED block     |            |   |   |
|--|---|---------------------------|--|------------------|---------------|-----------------|---------------|------------|---|---|
|  |   |                           |  |                  | A contact     | B contact       | AC/DC voltage | AC voltage |   |   |
| Short shark-head lever, extended (illuminated) |  <p>S2SRN-L1AR□</p> | 2-position, spring return |   | S2SRN-L1A□AD(M)  | 1             | —               | 1             | —          |   |   |
|  |   |                           |  | S2SRN-L1A□2AD(M) | 2             | —               |               |            |   |   |
|  |   |                           |  | S2SRN-L1A□BD(M)  | —             | 1               |               |            |   |   |
|  |   |                           |  | S2SRN-L1A□2BD(M) | —             | 2               |               |            |   |   |
|  |   |                           |  | S2SRN-L1A□ABD(M) | 1             | 1               |               |            |   |   |
|  |   | 2-position, maintained    |   | S2SRN-L3A□AD(M)  | 1             | —               |               |            |   |   |
|  |   |                           |  | S2SRN-L3A□2AD(M) | 2             | —               |               |            |   |   |
|  |   |                           |  | S2SRN-L3A□BD(M)  | —             | 1               |               |            |   |   |
|  |   |                           |  | S2SRN-L3A□2BD(M) | —             | 2               |               |            |   |   |
|  |   | 2-position, spring return |   | S2SRN-L1B□AD(M)  | 1             | —               |               |            |   |   |
|  |   |                           |  | S2SRN-L1B□2AD(M) | 2             | —               |               |            |   |   |
|  |   |                           |  | S2SRN-L1B□BD(M)  | —             | 1               |               |            |   |   |
|  |   |                           |  | S2SRN-L1B□2BD(M) | —             | 2               |               |            |   |   |
|  |   | 2-position, maintained    |   | S2SRN-L3B□AD(M)  | 1             | —               |               |            |   |   |
|  |   |                           |  | S2SRN-L3B□2AD(M) | 2             | —               |               |            |   |   |
|  |   |                           |  | S2SRN-L3B□BD(M)  | —             | 1               |               |            |   |   |
|  |   |                           |  | S2SRN-L3B□2BD(M) | —             | 2               |               |            |   |   |
|  |   | 2-position, spring return |  | S2SRN-L1□AD(M)   | 1             | —               |               |            |   |   |
|  |   |                           |  | S2SRN-L1□2AD(M)  | 2             | —               |               |            |   |   |
|  |   |                           |  | S2SRN-L1□BD(M)   | —             | 1               |               |            |   |   |
|  |   |                           |  | S2SRN-L1□2BD(M)  | —             | 2               |               |            |   |   |
|  |   |                           |  |                  |               | S2SRN-L1□ABD(M) |               |            | 1 | 1 |

※□ indicates color: R, B, G, Y

※The M in the model name indicates modular type contact block. Models without M are singular contact block.

※The control unit, contact blocks, LED blocks are sold separately.

(control unit: bold letters, contact and LED block: regular letters)

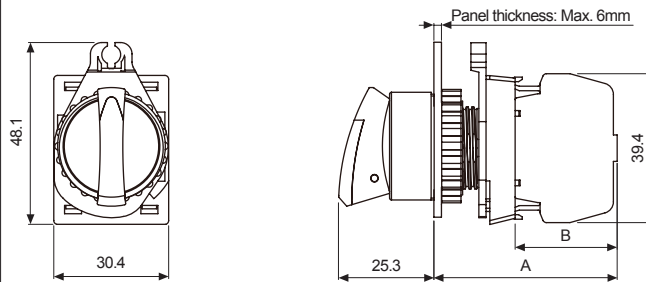
※The LED color is the same as the control unit.

※Connect up to 2 contact blocks. Connect the contact blocks only on the right and left side slots.

It will not operate if connected to the center slot.

• Dimensions

(unit: mm)



|               | A    | B    |
|---------------|------|------|
| Singular type | 48.5 | 27.0 |
| Modular type  | 46.5 | 25.0 |

※For panel cut-out dimensions, please refer to page A-82.



Control Switches

Ø16

Ø22/25

Ø30

□30

Push Button Switches

Round

Square

Rectangular

Selector Switches

Round

Square

Rectangular

Key Selector Switches

Round

Square

Rectangular

Double Push Button Switches





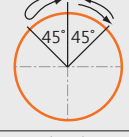
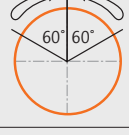
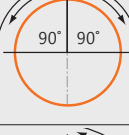
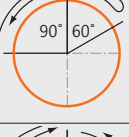

Mushroom-head Push Button Switches

Emergency Switches

Pilot Lights

Accessories

Buzzers

| Type   | Appearance  | Operating position                   | Model  | Contact block |           | LED block     |            |
|--|---|--------------------------------------|--|---------------|-----------|---------------|------------|
|  |   |                                      |  | A contact     | B contact | AC/DC voltage | AC voltage |
| Short shark-head lever, extended (illuminated) |  <p>S2SRN-L1AR□</p> | 3-position, spring return two-way    |  <b>S2SRN-L5K□2AD(M)</b>  | 2             | —         | 1             | —          |
|  |   |                                      | <b>S2SRN-L5K□2BD(M)</b>  | —             | 2         |               |            |
|  |   |                                      | <b>S2SRN-L5K□ABD(M)</b>  | 1             | 1         |               |            |
|  |   | 3-position, maintained               |  <b>S2SRN-L7K□2AD(M)</b>  | 2             | —         |               |            |
|  |   |                                      | <b>S2SRN-L7K□2BD(M)</b>  | —             | 2         |               |            |
|  |   |                                      | <b>S2SRN-L7K□ABD(M)</b>  | 1             | 1         |               |            |
|  |   | 3-position, spring return from right |  <b>S2SRN-LAK□2AD(M)</b>  | 2             | —         |               |            |
|  |   |                                      | <b>S2SRN-LAK□2BD(M)</b>  | —             | 2         |               |            |
|  |   |                                      | <b>S2SRN-LAK□ABD(M)</b>  | 1             | 1         |               |            |
|  |   | 3-position, spring return from left  |  <b>S2SRN-LCK□2AD(M)</b>  | 2             | —         |               |            |
|  |   |                                      | <b>S2SRN-LCK□2BD(M)</b>  | —             | 2         |               |            |
|  |   |                                      | <b>S2SRN-LCK□ABD(M)</b>  | 1             | 1         |               |            |
|  |   | 3-position, spring return two-way    |  <b>S2SRN-L5□2AD(M)</b>  | 2             | —         |               |            |
|  |   |                                      | <b>S2SRN-L5□2BD(M)</b>   | —             | 2         |               |            |
|  |   |                                      | <b>S2SRN-L5□ABD(M)</b>   | 1             | 1         |               |            |
|  |   | 3-position, maintained               |  <b>S2SRN-L7□2AD(M)</b> | 2             | —         |               |            |
|  |   |                                      | <b>S2SRN-L7□2BD(M)</b>   | —             | 2         |               |            |
|  |   |                                      | <b>S2SRN-L7□ABD(M)</b>   | 1             | 1         |               |            |
|  |   | 3-position, spring return from right |  <b>S2SRN-LA□2AD(M)</b> | 2             | —         |               |            |
|  |   |                                      | <b>S2SRN-LA□2BD(M)</b>   | —             | 2         |               |            |
|  |   |                                      | <b>S2SRN-LA□ABD(M)</b>   | 1             | 1         |               |            |
|  |   | 3-position, spring return from left  |  <b>S2SRN-LC□2AD(M)</b> | 2             | —         |               |            |
|  |   |                                      | <b>S2SRN-LC□2BD(M)</b>   | —             | 2         |               |            |
|  |   |                                      | <b>S2SRN-LC□ABD(M)</b>   | 1             | 1         |               |            |

□ indicates color: **R**, **B**, **G**, **Y**

※The M in the model name indicates modular type contact block. Models without M are singular contact block.

※The control unit, contact blocks, LED blocks are sold separately.

(control unit: bold letters, contact and LED block: regular letters)

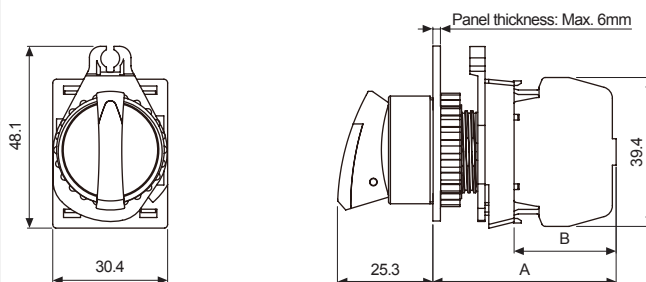
※The LED color is the same as the control unit.

※Connect up to 2 contact blocks. Connect the contact blocks only on the right and left side slots.

It will not operate if connected to the center slot.

• Dimensions

(unit: mm)



|               | A    | B    |
|---------------|------|------|
| Singular type | 48.5 | 27.0 |
| Modular type  | 46.5 | 25.0 |

※For panel cut-out dimensions, please refer to page A-82.



# Ø22/25 Selector Switches

| Type  | Appearance   | Operating position        |   | Model            | Contact block |                 | LED block     |            |   |   |
|---|--|---------------------------|---|------------------|---------------|-----------------|---------------|------------|---|---|
|   |  |                           |   |                  | A contact     | B contact       | AC/DC voltage | AC voltage |   |   |
| Long shark-head lever, extended (illuminated) | <br>S2SRN-L2AR□<br><br> | 2-position, spring return |    | S2SRN-L2A□AL(M)  | 1             | —               | —             | 1          |   |   |
|   |  |                           |   | S2SRN-L2A□2AL(M) | 2             | —               |               |            |   |   |
|   |  |                           |   | S2SRN-L2A□BL(M)  | —             | 1               |               |            |   |   |
|   |  |                           |   | S2SRN-L2A□2BL(M) | —             | 2               |               |            |   |   |
|   |  | 2-position, maintained    |    | S2SRN-L4A□AL(M)  | 1             | —               |               |            |   |   |
|   |  |                           |   | S2SRN-L4A□2AL(M) | 2             | —               |               |            |   |   |
|   |  |                           |   | S2SRN-L4A□BL(M)  | —             | 1               |               |            |   |   |
|   |  |                           |   | S2SRN-L4A□2BL(M) | —             | 2               |               |            |   |   |
|   |  | 2-position, spring return |    | S2SRN-L2B□AL(M)  | 1             | —               |               |            |   |   |
|   |  |                           |   | S2SRN-L2B□2AL(M) | 2             | —               |               |            |   |   |
|   |  |                           |   | S2SRN-L2B□BL(M)  | —             | 1               |               |            |   |   |
|   |  |                           |   | S2SRN-L2B□2BL(M) | —             | 2               |               |            |   |   |
|   |  | 2-position, maintained    |   | S2SRN-L4B□AL(M)  | 1             | —               |               |            |   |   |
|   |  |                           |   | S2SRN-L4B□2AL(M) | 2             | —               |               |            |   |   |
|   |  |                           |   | S2SRN-L4B□BL(M)  | —             | 1               |               |            |   |   |
|   |  |                           |   | S2SRN-L4B□2BL(M) | —             | 2               |               |            |   |   |
|   |  | 2-position, spring return |  | S2SRN-L2□AL(M)   | 1             | —               |               |            |   |   |
|   |  |                           |   | S2SRN-L2□2AL(M)  | 2             | —               |               |            |   |   |
|   |  |                           |   | S2SRN-L2□BL(M)   | —             | 1               |               |            |   |   |
|   |  |                           |   | S2SRN-L2□2BL(M)  | —             | 2               |               |            |   |   |
|   |  |                           |   |                  |               | S2SRN-L2□ABL(M) |               |            | 1 | 1 |

※□ indicates color: **R**, **B**, **G**, **Y**

※The M in the model name indicates modular type contact block. Models without M are singular contact block.

※The control unit, contact blocks, LED blocks are sold separately.

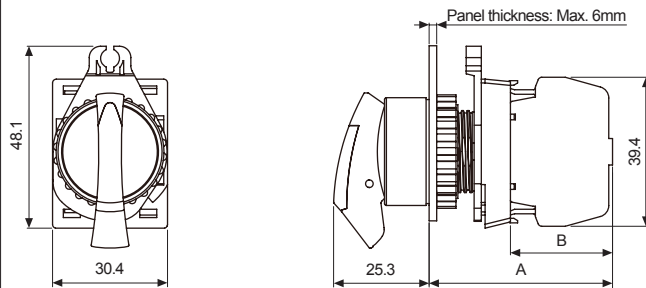
(control unit: bold letters, contact and LED block: regular letters)

※The LED color is the same as the control unit.

※Connect up to 2 contact blocks. Connect the contact blocks only on the right and left side slots. It will not operate if connected to the center slot.

• Dimensions

(unit: mm)



|               | A    | B    |
|---------------|------|------|
| Singular type | 48.5 | 27.0 |
| Modular type  | 46.5 | 25.0 |

※For panel cut-out dimensions, please refer to page A-82.



# Ø22/25 Selector Switches

## Control Switches

Ø16

Ø22/25

Ø30

□30

## Push Button Switches

Round

Square

Rectangular

## Selector Switches

Round

Square

Rectangular

## Key Selector Switches

Round

Square

Rectangular

## Double Push Button Switches







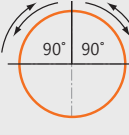

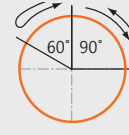
## Mushroom-head Push Button Switches

## Emergency Switches

## Pilot Lights

## Accessories

## Buzzers

| Type  | Appearance  | Operating position                   |   | Model            | Contact block |           | LED block     |            |
|---|---|--------------------------------------|---|------------------|---------------|-----------|---------------|------------|
|   |   |                                      |   |                  | A contact     | B contact | AC/DC voltage | AC voltage |
| Long shark-head lever, extended (illuminated) |  <p>S2SRN-L2AR□</p> | 3-position, spring return two-way    |    | S2SRN-L6K□2AL(M) | 2             | —         | —             | 1          |
|   |   |                                      |   | S2SRN-L6K□2BL(M) | —             | 2         |               |            |
|   |   |                                      |   | S2SRN-L6K□ABL(M) | 1             | 1         |               |            |
|   |   | 3-position, maintained               |    | S2SRN-L8K□2AL(M) | 2             | —         |               |            |
|   |   |                                      |   | S2SRN-L8K□2BL(M) | —             | 2         |               |            |
|   |   |                                      |   | S2SRN-L8K□ABL(M) | 1             | 1         |               |            |
|   |   | 3-position, spring return from right |    | S2SRN-LBK□2AL(M) | 2             | —         |               |            |
|   |   |                                      |   | S2SRN-LBK□2BL(M) | —             | 2         |               |            |
|   |   |                                      |   | S2SRN-LBK□ABL(M) | 1             | 1         |               |            |
|   |   | 3-position, spring return from left  |    | S2SRN-LDK□2AL(M) | 2             | —         |               |            |
|   |   |                                      |   | S2SRN-LDK□2BL(M) | —             | 2         |               |            |
|   |   |                                      |   | S2SRN-LDK□ABL(M) | 1             | 1         |               |            |
|   |   | 3-position, spring return two-way    |   | S2SRN-L6□2AL(M)  | 2             | —         |               |            |
|   |   |                                      |   | S2SRN-L6□2BL(M)  | —             | 2         |               |            |
|   |   |                                      |   | S2SRN-L6□ABL(M)  | 1             | 1         |               |            |
|   |   | 3-position, maintained               |  | S2SRN-L8□2AL(M)  | 2             | —         |               |            |
|   |   |                                      |   | S2SRN-L8□2BL(M)  | —             | 2         |               |            |
|   |   |                                      |   | S2SRN-L8□ABL(M)  | 1             | 1         |               |            |
|   |   | 3-position, spring return from right |  | S2SRN-LB□2AL(M)  | 2             | —         |               |            |
|   |   |                                      |   | S2SRN-LB□2BL(M)  | —             | 2         |               |            |
|   |   |                                      |   | S2SRN-LB□ABL(M)  | 1             | 1         |               |            |
|   |   | 3-position, spring return from left  |  | S2SRN-LD□2AL(M)  | 2             | —         |               |            |
|   |   |                                      |   | S2SRN-LD□2BL(M)  | —             | 2         |               |            |
|   |   |                                      |   | S2SRN-LD□ABL(M)  | 1             | 1         |               |            |

※□ indicates color: **R**, **B**, **G**, **Y**

※The M in the model name indicates modular type contact block. Models without M are singular contact block.

※The control unit, contact blocks, LED blocks are sold separately.

(control unit: bold letters, contact and LED block: regular letters)

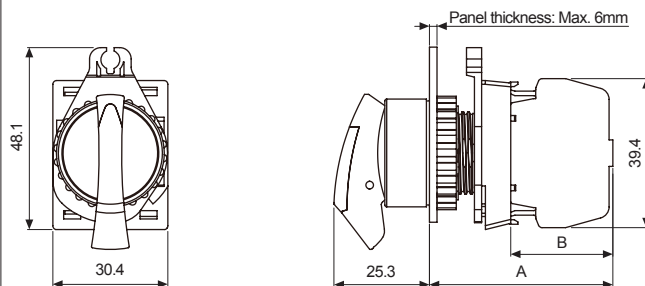
※The LED color is the same as the control unit.

※Connect up to 2 contact blocks. Connect the contact blocks only on the right and left side slots.

It will not operate if connected to the center slot.

### • Dimensions

(unit: mm)


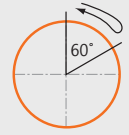


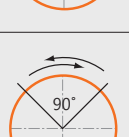



|               | A    | B    |
|---------------|------|------|
| Singular type | 48.5 | 27.0 |
| Modular type  | 46.5 | 25.0 |

※For panel cut-out dimensions, please refer to page A-82.



# Ø22/25 Selector Switches

| Type  | Appearance  | Operating position   | Model            | Contact block |           | LED block     |            |
|---|---|--|------------------|---------------|-----------|---------------|------------|
|   |   |  |                  | A contact     | B contact | AC/DC voltage | AC voltage |
| Long shark-head lever, extended (illuminated)   | <br>S2SRN-L2AR□ | 2-position, spring return<br> | S2SRN-L2A□AD(M)  | 1             | —         | 1             | —          |
|   |   |  | S2SRN-L2A□2AD(M) | 2             | —         |               |            |
|   |   |  | S2SRN-L2A□BD(M)  | —             | 1         |               |            |
|   |   |  | S2SRN-L2A□2BD(M) | —             | 2         |               |            |
|   |   |  | S2SRN-L2A□ABD(M) | 1             | 1         |               |            |
|   |   | 2-position, maintained<br>    | S2SRN-L4A□AD(M)  | 1             | —         |               |            |
|   |   |  | S2SRN-L4A□2AD(M) | 2             | —         |               |            |
|   |   |  | S2SRN-L4A□BD(M)  | —             | 1         |               |            |
|   |   |  | S2SRN-L4A□2BD(M) | —             | 2         |               |            |
|   |   |  | S2SRN-L4A□ABD(M) | 1             | 1         |               |            |
|   |   | 2-position, spring return<br> | S2SRN-L2B□AD(M)  | 1             | —         |               |            |
|   |   |  | S2SRN-L2B□2AD(M) | 2             | —         |               |            |
|   |   |  | S2SRN-L2B□BD(M)  | —             | 1         |               |            |
|   |   |  | S2SRN-L2B□2BD(M) | —             | 2         |               |            |
|   |   |  | S2SRN-L2B□ABD(M) | 1             | 1         |               |            |
|   |   | 2-position, maintained<br>    | S2SRN-L4B□AD(M)  | 1             | —         |               |            |
|   |   |  | S2SRN-L4B□2AD(M) | 2             | —         |               |            |
|   |   |  | S2SRN-L4B□BD(M)  | —             | 1         |               |            |
|   |   |  | S2SRN-L4B□2BD(M) | —             | 2         |               |            |
|   |   |  | S2SRN-L4B□ABD(M) | 1             | 1         |               |            |
| 2-position, spring return<br> | S2SRN-L2□AD(M)  | 1  | —                |               |           |               |            |
|   | S2SRN-L2□2AD(M)   | 2  | —                |               |           |               |            |
|   | S2SRN-L2□BD(M)  | —  | 1                |               |           |               |            |
|   | S2SRN-L2□2BD(M)   | —  | 2                |               |           |               |            |
|   | S2SRN-L2□ABD(M)   | 1  | 1                |               |           |               |            |

※□ indicates color: **R**, **B**, **G**, **Y**

※The M in the model name indicates modular type contact block. Models without M are singular contact block.

※The control unit, contact blocks, LED blocks are sold separately.

(control unit: bold letters, contact and LED block: regular letters)

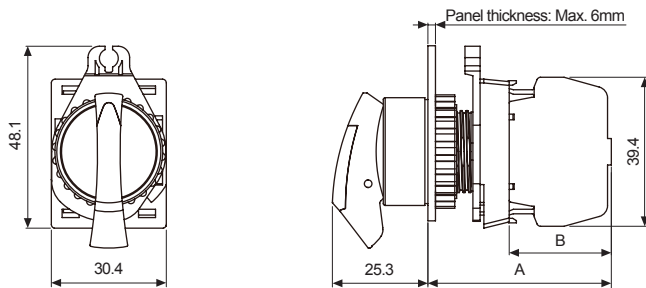
※The LED color is the same as the control unit.

※Connect up to 2 contact blocks. Connect the contact blocks only on the right and left side slots.

It will not operate if connected to the center slot.

• Dimensions

(unit: mm)



|               | A    | B    |
|---------------|------|------|
| Singular type | 48.5 | 27.0 |
| Modular type  | 46.5 | 25.0 |

※For panel cut-out dimensions, please refer to page A-82.



Control Switches

Ø16

Ø22/25

Ø30

□30

Push Button Switches

- Round
- Square
- Rectangular

Selector Switches

- Round
- Square
- Rectangular

Key Selector Switches

- Round
- Square
- Rectangular

Double Push Button Switches

Mushroom-head Push Button Switches

Emergency Switches

Pilot Lights

Accessories

Buzzers

| Type  | Appearance  | Operating position                   | Model   | Contact block |           | LED block     |            |
|---|---|--------------------------------------|---|---------------|-----------|---------------|------------|
|   |   |                                      |   | A contact     | B contact | AC/DC voltage | AC voltage |
| Long shark-head lever, extended (illuminated) |  <p>S2SRN-L2AR□</p> | 3-position, spring return two-way    |  S2SRN-L6K□2AD(M)  | 2             | —         | 1             | —          |
|   |   |                                      | S2SRN-L6K□2BD(M)  | —             | 2         |               |            |
|   |   |                                      | S2SRN-L6K□ABD(M)  | 1             | 1         |               |            |
|   |   | 3-position, maintained               | S2SRN-L8K□2AD(M)  | 2             | —         |               |            |
|   |   |                                      | S2SRN-L8K□2BD(M)  | —             | 2         |               |            |
|   |   |                                      | S2SRN-L8K□ABD(M)  | 1             | 1         |               |            |
|   |   | 3-position, spring return from right | S2SRN-LBK□2AD(M)  | 2             | —         |               |            |
|   |   |                                      | S2SRN-LBK□2BD(M)  | —             | 2         |               |            |
|   |   |                                      | S2SRN-LBK□ABD(M)  | 1             | 1         |               |            |
|   |   | 3-position, spring return from left  | S2SRN-LDK□2AD(M)  | 2             | —         |               |            |
|   |   |                                      | S2SRN-LDK□2BD(M)  | —             | 2         |               |            |
|   |   |                                      | S2SRN-LDK□ABD(M)  | 1             | 1         |               |            |
|   |   | 3-position, spring return two-way    |  S2SRN-L6□2AD(M)  | 2             | —         |               |            |
|   |   |                                      | S2SRN-L6□2BD(M)   | —             | 2         |               |            |
|   |   |                                      | S2SRN-L6□ABD(M)   | 1             | 1         |               |            |
|   |   | 3-position, maintained               |  S2SRN-L8□2AD(M) | 2             | —         |               |            |
|   |   |                                      | S2SRN-L8□2BD(M)   | —             | 2         |               |            |
|   |   |                                      | S2SRN-L8□ABD(M)   | 1             | 1         |               |            |
|   |   | 3-position, spring return from right |  S2SRN-LB□2AD(M) | 2             | —         |               |            |
|   |   |                                      | S2SRN-LB□2BD(M)   | —             | 2         |               |            |
|   |   |                                      | S2SRN-LB□ABD(M)   | 1             | 1         |               |            |
|   |   | 3-position, spring return from left  |  S2SRN-LD□2AD(M) | 2             | —         |               |            |
|   |   |                                      | S2SRN-LD□2BD(M)   | —             | 2         |               |            |
|   |   |                                      | S2SRN-LD□ABD(M)   | 1             | 1         |               |            |

※□ indicates color: **R**, **B**, **G**, **Y**

※The M in the model name indicates modular type contact block. Models without M are singular contact block.

※The control unit, contact blocks, LED blocks are sold separately.

(control unit: bold letters, contact and LED block: regular letters)

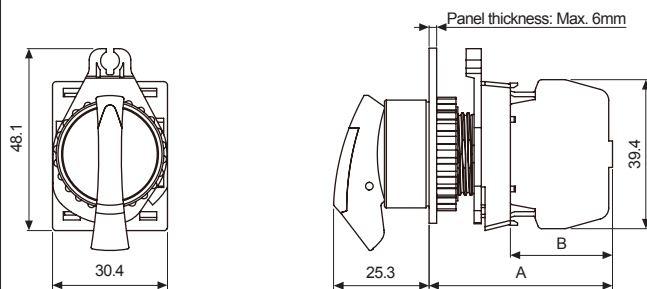
※The LED color is the same as the control unit.

※Connect up to 2 contact blocks. Connect the contact blocks only on the right and left side slots.

It will not operate if connected to the center slot.

• Dimensions

(unit: mm)



|               | A    | B    |
|---------------|------|------|
| Singular type | 48.5 | 27.0 |
| Modular type  | 46.5 | 25.0 |


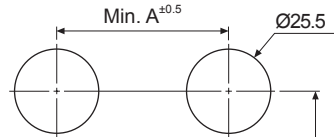
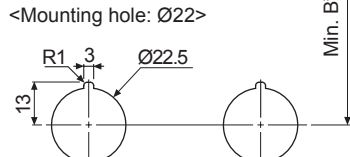









※For panel cut-out dimensions, please refer to page A-82.



# Ø22/25 Panel Cut-out Dimensions

## Ø22/25 Panel Cut-out Dimensions

(unit: mm)

| Type   |             | A   | B  | Panel Cut-out Dimensions |   |
|--|-------------|---|----|--------------------------|---|
| Round/Square Push Button Switches<br>(S2PR/S2PRS Series) |             |    | 33 | 55                       | <p>&lt;Mounting hole: Ø25&gt;</p>  <p>&lt;Mounting hole: Ø22&gt;</p>  |
| Round Selector Switches<br>(S2SR/S2SRN Series)           | Short lever |    | 33 | 55                       |   |
|  | Long lever  |    | 55 | 55                       |   |
| Round Key Selector Switches<br>(S2KR Series)             |             |    | 33 | 55                       |   |
| Double Push Button Switches<br>(S2TR Series)             |             |    | 33 | 60                       |   |
| Mushroom-head Push Button Switches<br>(S2BR Series)      |             |    | 33 | 55                       |   |
| Emergency Switches<br>(S2ER Series)                      | D30         |   | 33 | 55                       |   |
|  | D40         |  | 55 | 55                       |   |
|  | D60         |  | 80 | 80                       |   |
| Pilot Lights (L2RR Series)                               |             |  | 33 | 55                       |   |